

# ROTATORS

**PALFINGER**



ROTATORS FOR ALL PALFINGER-ATTACHMENTS



Palfinger gear-rotators and Palfinger-Attachments are perfect harmonized. Rotators with a capacity up to 10 t ( 22,046 lbs) are available with shaft- or with flange plate version. The listed torque max. (Nm) refers to an operating pressure of 200 bar. Continuous rotation with integrated pressure control valve against overload. Max. Operating pressure 320 bar

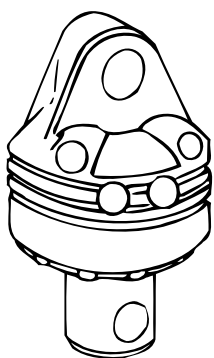


Model	Capacity axial	Angle of rotation (°)	Oil ducts	Torque max.	max.Mom. of deflection	Weight
<b>PZR450G-59</b>	4500 (9,920 lbs)	continous	2	850 Nm (627 ft.lbs)	3000 Nm (2,212 ft.lbs)	25 kg (55 lbs)
<b>PZR450G-62</b>	4500 (9,920 lbs)	continous	2	850 Nm (627 ft.lbs)	3000 Nm (2,212 ft.lbs)	25 kg (55 lbs)
<b>PZR450G-63</b>	4500 (9,920 lbs)	continous	2	850 Nm (627 ft.lbs)	3000 Nm (2,212 ft.lbs)	25 kg (55 lbs)
<b>PZR450G-68</b>	4500 (9,920 lbs)	continous	2	850 Nm (627 ft.lbs)	3000 Nm (2,212 ft.lbs)	25 kg (55 lbs)
<b>PZR450GF</b>	4500 (9,920 lbs)	continous	2	850 Nm (627 ft.lbs)	3000 Nm (2,212 ft.lbs)	27,5 kg (60.6 lbs)
<b>PZR601GF</b>	6000 (13,227 lbs)	continous	2	1000 Nm (737 ft.lbs)	8500 Nm (6,270 ft.lbs)	34 kg (75 lbs)
<b>PZR1000GF</b>	10000 (22,046 lbs)	continous	2	2000 Nm (1,475 ft.lbs)	12000 Nm (8,850 ft.lbs)	80 kg (176 lbs)

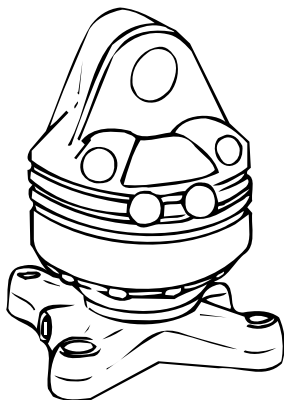
F = Flansch    F = Flange

**Please note:**

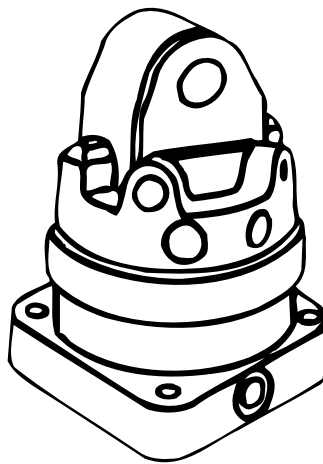
Standard hydraulic connections are included. Upper suspension (between crane and rotator) and reduction links (between rotator and attachment) are not included with the rotator; special hydraulic connections can be supplied. Upper Suspensions to other crane brands as well as special models are available on request. Please specify make and model of crane when ordering.



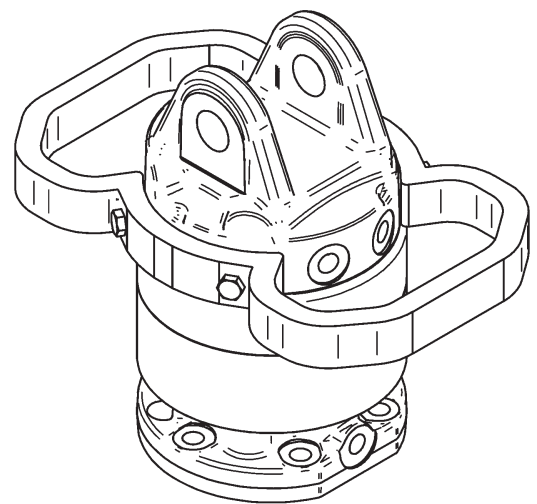
PZR450- G...



PZR450GF



PZR600GF



PZR1000GF