

# DIGGING BUCKET

**PALFINGER**



FOR EASY EXCAVATOR JOBS



# DESIGNED FOR DIGGING AND LOADING IN ONE EASY STEP

**PALFINGER**

The PALFINGER Digging Bucket changes your crane into a multifunctional tool. They feature low overall height thanks to horizontally fitted hydraulic cylinders. A sturdy design with low dead weight. Digging teeth are standard. Operating pressure: 260 bar (3,770 psi); max. load capacity: 3000 kg (6,600 lbs)



All attachments have integrated overload valves. Also available as complete package ready to mount on the crane. Upper suspensions to other crane brands available on request!

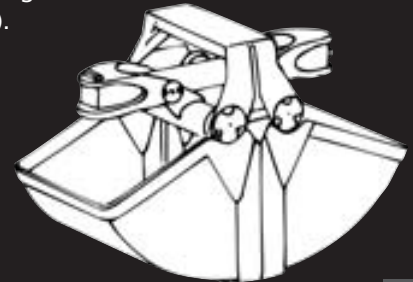
**PZG-G** = Standard version of digging grab for light and smooth material; closing force 20 kN (4,450 lbs)

Model	Volume	Width	Weight	Excavator teeth
<b>PZG150G</b>	150 l (0.20 cu.yd.)	325 mm (12.80")	175 kg (386 lbs)	3
<b>PZG250G</b>	250 l (0.33 cu.yd.)	500 mm (19.69")	200 kg (441 lbs)	5
<b>PZG350G</b>	350 l (0.50 cu.yd.)	650 mm (25.59")	220 kg (485 lbs)	5
<b>PZG450G</b>	450 l (0.60 cu.yd.)	800 mm (31.50")	245 kg (540 lbs)	9
<b>PZG550G</b>	550 l (0.75 cu.yd.)	1000 mm (39.37")	275 kg (606 lbs)	9

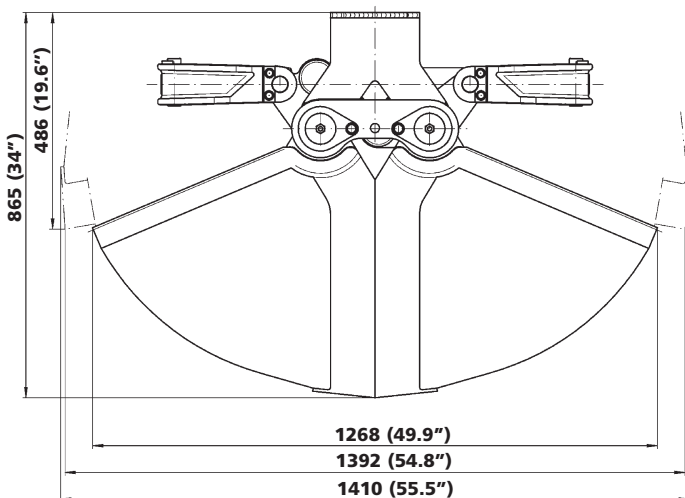
## DIGGING BUCKET PZG-G-1

The wide-opening buckets have outstanding digging capacity and large volumes. The working edges are vertical when the buckets are open, allowing them to plunge deep into a pile of material. Since the buckets act symmetrically, the piston rod and seals last longer. Low overall height is achieved by the horizontal position of the hydraulic cylinder. High closing forces. A pressure relief valve makes the cylinder independent of the crane operating pressure. Digging bucket PZG-G-1 = Heavy duty version; rugged construction with closing force 30 kN (6,670 lbs).

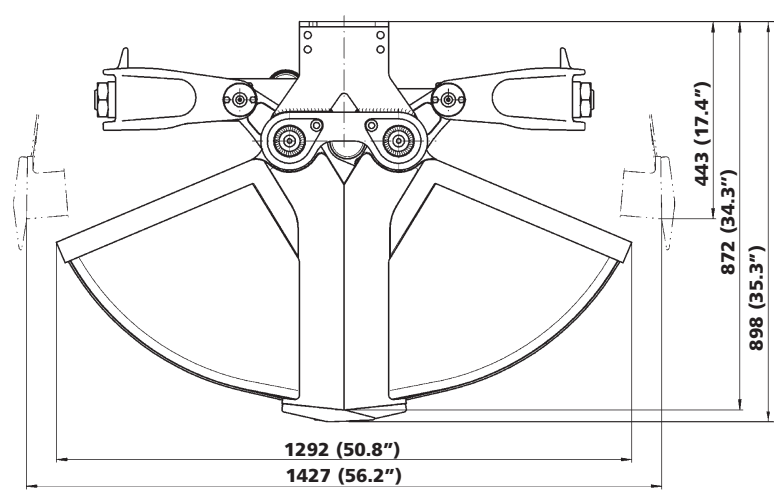
Model	Volume	Width	Weight	Excavator teeth
<b>PZG200G-1</b>	200l (0.25 cu.yd.)	400 mm (15.75")	250 kg (551 lbs)	3
<b>PZG250G-1</b>	250l (0.33 cu.yd.)	500 mm (19.69")	270 kg (595 lbs)	5
<b>PZG350G-1</b>	350l (0.50 cu.yd.)	650 mm (25.59")	285 kg (628 lbs)	5



## PZG-G



## PZG-G-1



**PALFINGER**

We reserve the right to change design and specification without prior notice.

www.palfinger.com

09/02