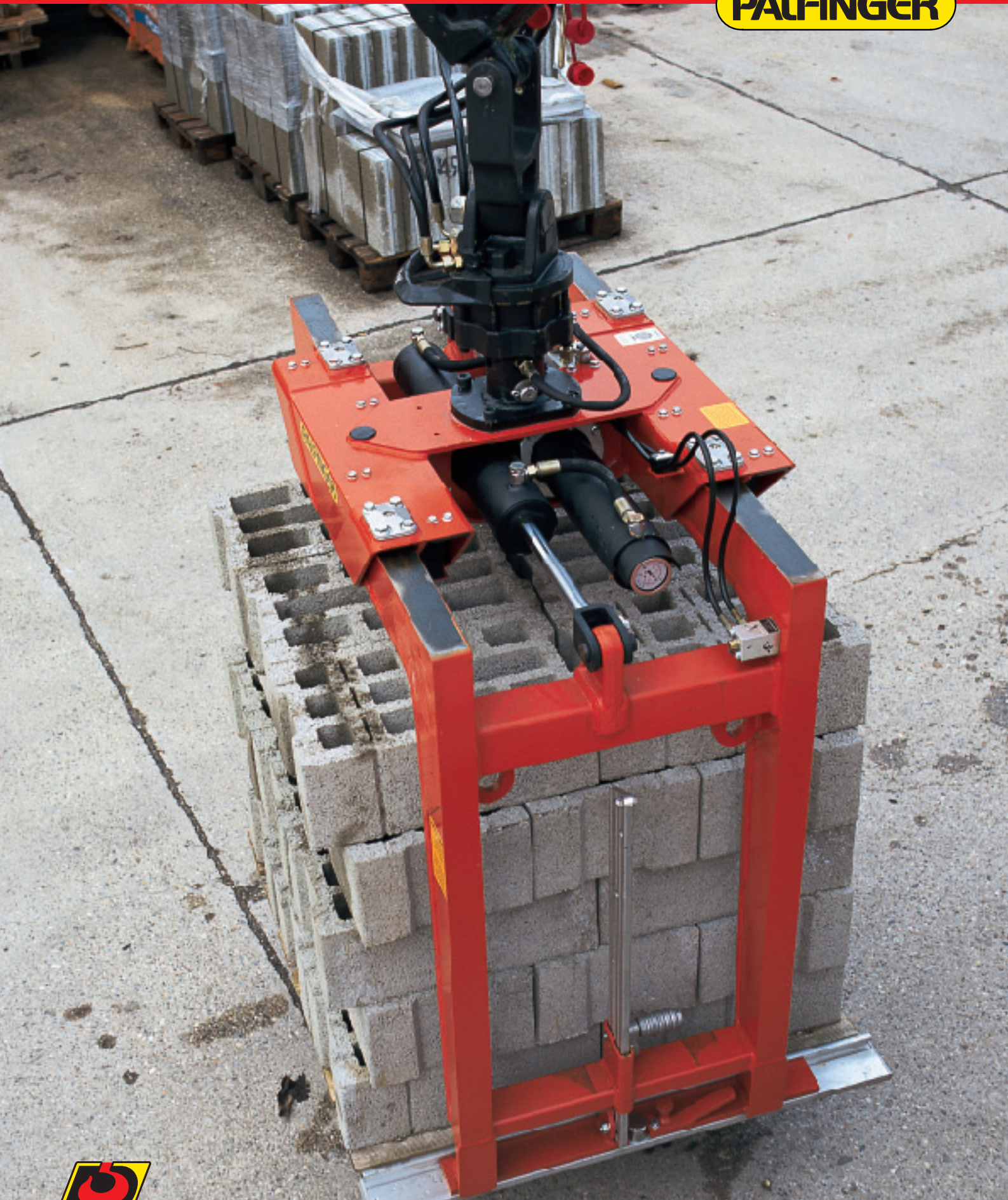
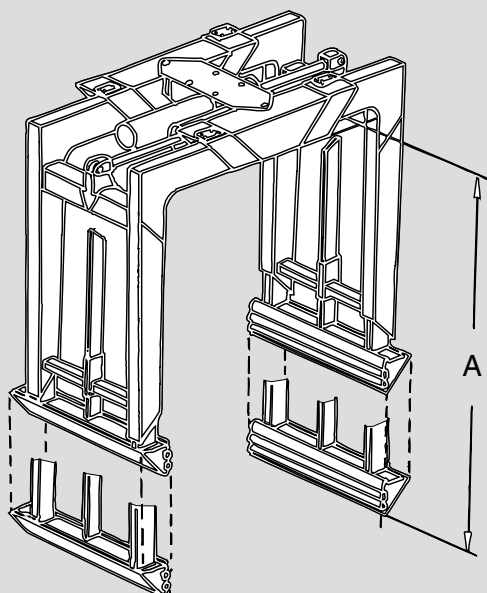
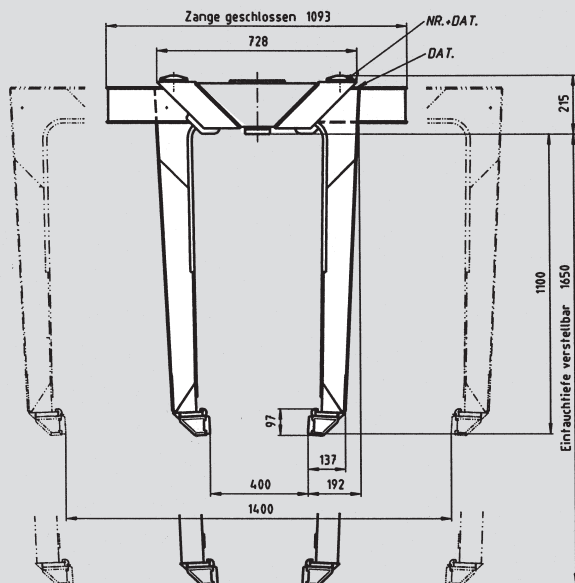
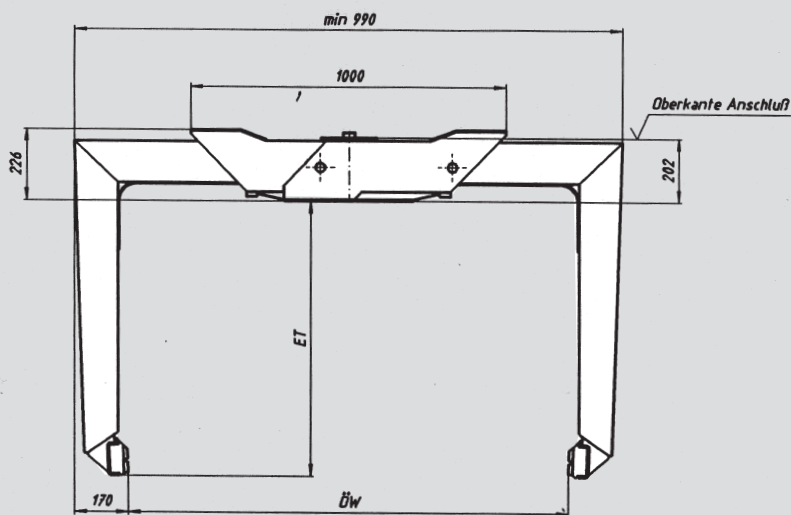


Brick pack grapples

PALFINGER



Brick pack grapples



Brick pack grapples PZS-1

Precise running due to differential compensation; with parallel opening and closing. Little maintenance required because of greasable main liners in semiround-version, with lubricant reserve and self actuating wear compensating as well self greasing PVC secondary liners.

Quick change system for compression

	max. grip (A in mm) ②	load capacity (kg) ③	dead weight (kg) less gripping rails
PZS085-1	850	2200	240
PZS100-1	1000	2000	250
PZS130-1	1300	1600	260
PZS110V-1	1100-1650	1900 (1300)	295

② other gripping depths are available

③ Package size, bunching type surfaces etc. have influence on the load capacity.

Gripping rails

Of light construction design, with replaceable black rubber inserts. Pin fixing allows easy exchange of rails. For special application rails (grippers) with other profiles and compositions are available at extra cost (e.g. steel segment rails).

		Length (up to mm)	dead weight (kg)
gripping rails	PZS072A (-1)	720	13
	PZS100A (-1)	1000	17
	PZS125A (-1)	1250	20
Replacement rubbers	PZS072E (-1)	720	
	PZS100E (-1)	1000	
	PZS125E (-1)	1250	

We reserve the right to change design and specification without prior notice. 11/99



Made by PALFINGER