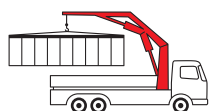


PK 7001-EH

High Performance

PALFINGER CRANE



KTL
protected

**Paltronic
50**
controlled

RRC
Radio Remote Control
operated

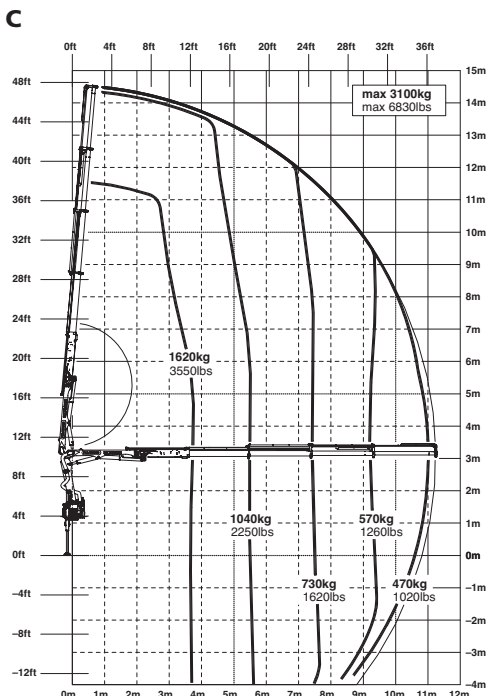
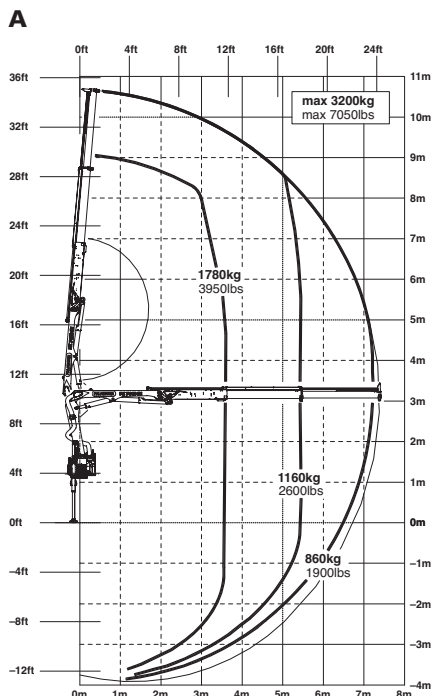
ISC
Integrated Stability Control
monitored

AOS
Active Oscillation Suppression
inside

A compact achiever

Fast, flexible and precise. That's how this E-HPLS crane effectively takes care of even the toughest jobs. Thanks to the E-HPLS technology, even extremely heavy loads can be moved and deposited with utmost precision. Plus, its enormous outreach gives its operators a greater working area.

PK 7001 EH High Performance



Technical Specifications (EN 12999 H1-B3)

Max. lifting moment	6.6 mt/64.7 kNm	47750 ft.lbs	Stabilizer spread	std. 3.0 m/9' 10"	max. 5.0 m/16' 5"
Max. lifting capacity	3300 kg/32.4 kN	7270 lbs	Fitting space required (std.)	0.66 m	2' 2"
Max. hydraulic outreach	11.2 m	36' 9"	Width folded	2.20 m	7' 3"
Max. manual outreach	12.9 m	42' 4"	Max. operating pressure	350 bar	5075 psi
Slewing angle	400 °		Recommended pump capacity	from 30 l/min to 40 l/min	7.9 US gal./min 10.6 US gal./min
Slewing torque	0.8 mt/7.8 kNm	5790 ft.lbs	Dead weight (std.)	779 kg	1720 lbs

