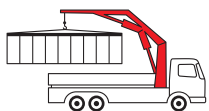


# PK 5001-EH

High Performance

**PALFINGER** CRANE



**KTL**  
protected

**Paltronic  
50**  
controlled

**RRC**  
Radio Remote Control  
operated

**ISC** \*)  
Integrated Stability Control  
monitored

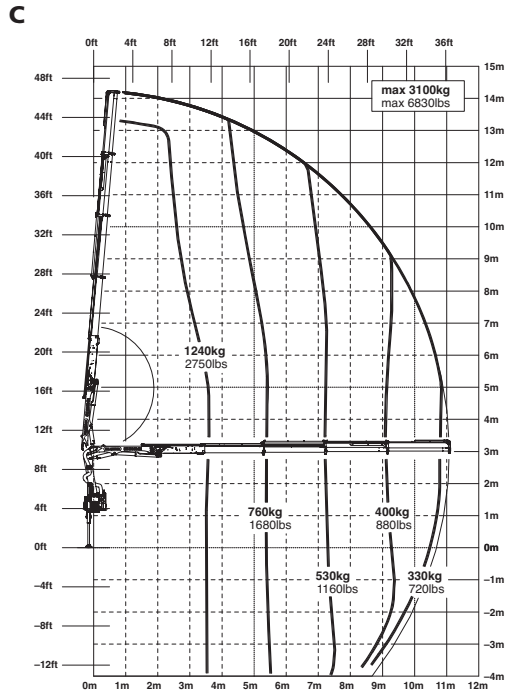
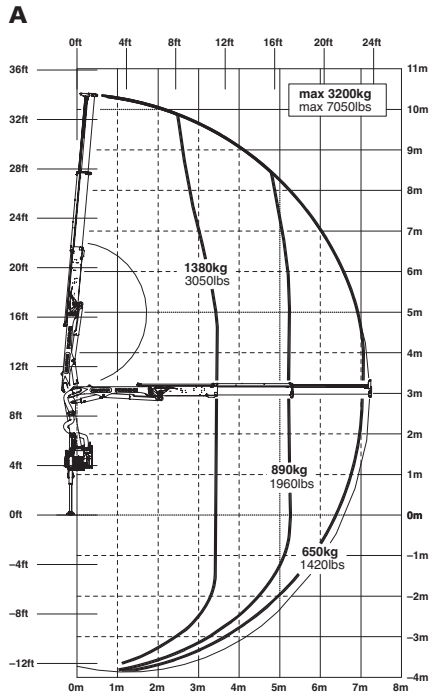
**AOS** \*)  
Active Oscillation Suppression  
inside

## Efficient all-rounder

The E-HPLS technology by PALFINGER makes this crane the top performer in its class. Thanks to E-HPLS, the capacity can be increased when needed and the operating speed reduced. When the crane is equipped with manual extensions, the standard Interlock-System provides for even more safety during transport. In short: the PK 5001 EH represents the best of PALFINGER technology for even more successful applications.

More power and innovative technology

**PK 5001 EH High Performance**



**Technical Specifications (EN 12999 H1-B3)**

Max. lifting moment	4.9 mt/48.1 kNm	35450 ft.lbs	Stabilizer spread	std. 3.0 m/9' 10"	max. 5.0 m/16' 5"
Max. lifting capacity	3300 kg/32.4 kN	7270 lbs	Fitting space required (std.)	0.66 m	2' 2"
Max. hydraulic outreach	11.1 m	36' 5"	Width folded	2.10 m	6' 11"
Max. manual outreach	12.7 m	41' 8"	Max. operating pressure	350 bar	5075 psi
Slewing angle	400°		Recommended pump capacity	from 20 l/min to 30 l/min	5.3 US gal./min to 7.9 US gal./min
Slewing torque	0.6 mt/5.9 kNm	4340 ft.lbs	Dead weight (std.)	708 kg	1560 lbs

