

PK 23502

High Performance

PALFINGER CRANE



KTL
protected

Paltronic
50
controlled

RRC ^{*)}
Radio Remote Control
operated

ISC ^{*)}
Integrated Stability Control
monitored

AOS ^{*)}
Active Oscillation Suppression
inside

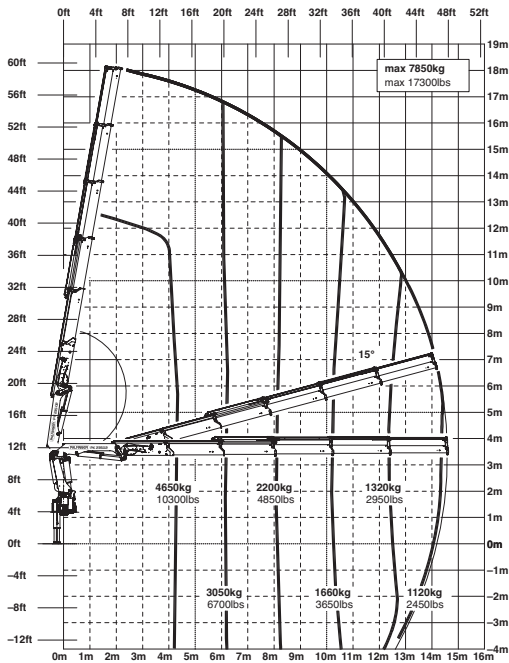
The all-round talent with the large outreach

One look at the PK 23502 and it's clear: the functional design elements are not only visually appealing, but they also increase comfort and safety. In terms of outreach and manoeuvrability, it is clearly at the head of the class. Experienced operators appreciate its compact dimensions and large stabilizer width on the grounds of cost-optimised crane installation.

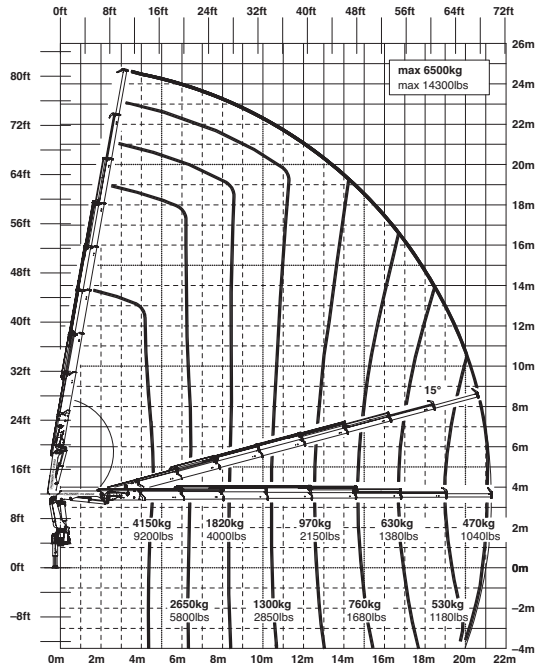
Tailor-made for optimized mounting

PK 23502 High Performance

D



G



Technical Specifications (EN 12999 H1-B3)

Max. lifting moment	22.4 mt/219.7 kNm	162030 ft.lbs
Max. lifting capacity	8500 kg/83.4 kN	18740 lbs
Max. hydraulic outreach	21.3 m	69' 11"
Max. manual outreach	23.3 m	76' 5"
Slewing angle	400 °	
Slewing torque	2.8 mt/27.5 kNm	20260 ft.lbs

Stabilizer spread	std. 5.0 m/16' 5"	max. 7.4 m/24' 3"
Fitting space required (std.)	0.96 m	3' 2"
Width folded	2.53 m	8' 3"
Max. operating pressure	320 bar	4640 psi
Recommended pump capacity	from 50 l/min to 75 l/min	13.2 US gal./min to 19.8 US gal./min
Dead weight (std.)	2583 kg	5690 lbs

