

PK 13001-K

High Performance

PALFINGER CRANE



KTL
protected

**Paltronic
50**
controlled

RRC^{*)}
Radio Remote Control
operated

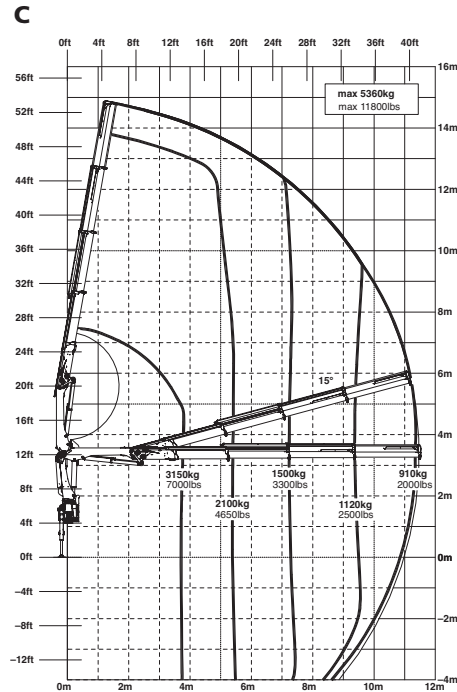
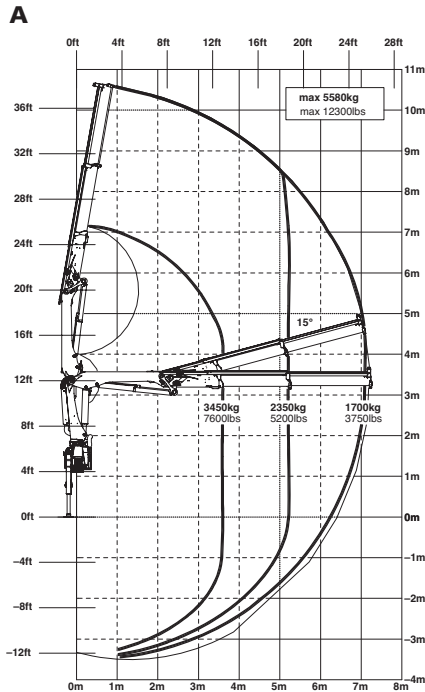
ISC^{*)}
Integrated Stability Control
monitored

Compact and economical

The PK 13001 K is a true lightweight – which results in more payload and less operating costs. Its lightweight construction reduces the crane vehicle's fuel consumption, while its geometry makes it the perfect crane for grab and pallet use. The compact construction enables it to be installed on chassis with restricted space.

Ideal geometry for grab application

PK 13001 K High Performance



Technical Specifications (EN 12999 H1-B3)

Max. lifting moment	12.8 mt/125.6 kNm	92570 ft.lbs
Max. lifting capacity	5700 kg/55.9 kN	12570 lbs
Max. hydraulic outreach	11.5 m	37' 9"
Max. manual outreach	15.5 m	50' 10"
Slewing angle	420°	
Slewing torque	1.6 mt/15.7 kNm	11580 ft.lbs

Stabilizer spread	std. 5.0 m/16' 5"	max. 6.6 m/21' 8"
Fitting space required (std.)	0.71 m	2' 4"
Width folded	2.50 m	8' 2"
Max. operating pressure	320 bar	4640 psi
Recommended pump capacity	from 35 l/min to 50 l/min	9.2 US gal./min to 13.2 US gal./min
Dead weight (std.)	1477 kg	3260 lbs

