

CRANE FORKS

PALFINGER



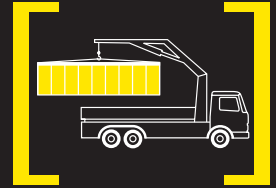
THE HIGHEST LEVEL OF QUALITY AND SAFETY



YOUR CRANE BECOMES THE PERFECT TOOL FOR YOUR BUSINESS

PALFINGER

PALFINGER crane forks are designed for easy handling with features like automatic levelling and one hand fork adjustment system. Pallet forks with automatic weight balancing and forged slender forks make the drive in under the pallets even easier.



FORKS WITH AUTOMATIC WEIGHT BALANCING AND SPINDLE ADJUSTMENT

Available heights variable from 1050 to 1650 mm (41 to 65").

The outside width of the forks can be adjusted with a spindle from 475 to 815 mm (18.7 to 32").

	load capacity	prong dimensions	dead weight	measure A	measure B	measure C
PZP150V	1500 kg (3,300 lbs)	35x80 mm (1.3x3.1")	115 kg (253 lbs)	1050-1650 mm (41.30- 65.10")	1354-1390 mm (53.30- 54.7")	1481-1517 mm (58.3- 59.7")
PZP200V	2000 kg (4,400 lbs)	35x100 mm (1.3x3.9")	135 kg (297 lbs)	1050-1650 mm (41.30- 65.10")	1364-1400 mm (53.70- 55")	1491-1527 mm (58.7- 60.10")

FORKS WITH AUTOMATIC WEIGHT BALANCING

Available heights variable from 1050 to 1650 mm (41 to 65"). The outside width of the forks can be adjusted by hand from 310 to 930 mm (12.2 to 36.6"). Fork locking is done easily by stop levers.

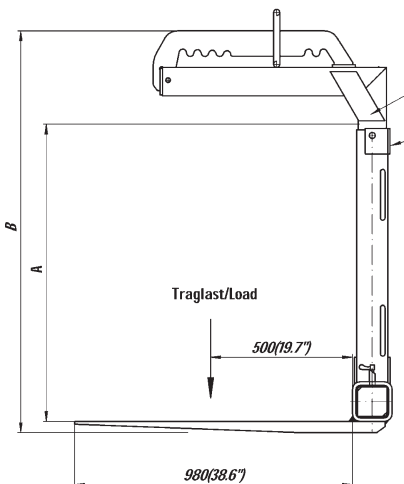
	load capacity	prong dimensions	dead weight	measure A	measure B	measure C
PZP100VS	1000 kg (2,200 lbs)	35x70 mm (1.37x 2.75")	90 kg (198 lbs)	1050-1650 mm (41.33-64.96")	1355-1955 mm (53.30-77")	1482-2082 mm (58.3-82")
PZP150VS	1500 kg (3,300 lbs)	35x80 mm (1.37x 3.15")	110 kg (242 lbs)	1050-1650 mm (41.33-64.96")	1355-1955 mm (53.30-77")	1482-2082 mm (58.3-82")
PZP200VS	2000 kg (4,400 lbs)	35x100 mm (1.37x 3.94")	120 kg (264 lbs)	1050-1650 mm (41.33-64.96")	1365-1965 mm (53.70-77.40")	1492-2092 mm (58.7-82.4")

FORKS WITH MANUALLY ADJUSTED WEIGHT BALANCING.

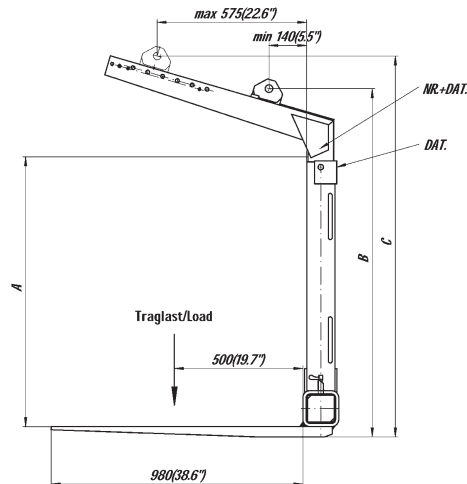
Same version as above but with mechanical weight balancing. Suspension link for crane hook is a standard feature. Suspension to Rotator is available optional. When ordering please specify.

	load capacity	prong dimensions	dead weight	measure A	measure B
PZP100	1000 kg (2,200 lbs)	35x70 mm (1.37x 2.75")	80 kg (176 lbs)	1050-1650 mm (41.33-64.96")	1415-2015 mm (55.70-79.30")
PZP125	1250 kg (2,750 lbs)	40x70 mm (1.57x 2.75")	85 kg (187 lbs)	1050-1650 mm (41.33-64.96")	1420-2020 mm (55.90-76.50")
PZP150	1500 kg (3,300 lbs)	40x80 mm (1.57x 3.15")	90 kg (198 lbs)	1050-1650 mm (41.33-64.96")	1420-2020 mm (55.90-76.50")
PZP200	2000 kg (4,400 lbs)	50x80 mm (1.90x 3.15")	110 kg (242 lbs)	1050-1650 mm (41.33-64.96")	1430-2030 mm (56.30-79.92")

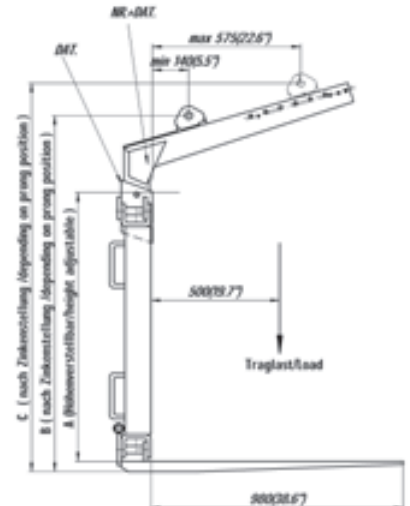
PZP100-200



PZP100VS-200VS



PZP150V-200V



We reserve the right to change design and specification without prior notice.